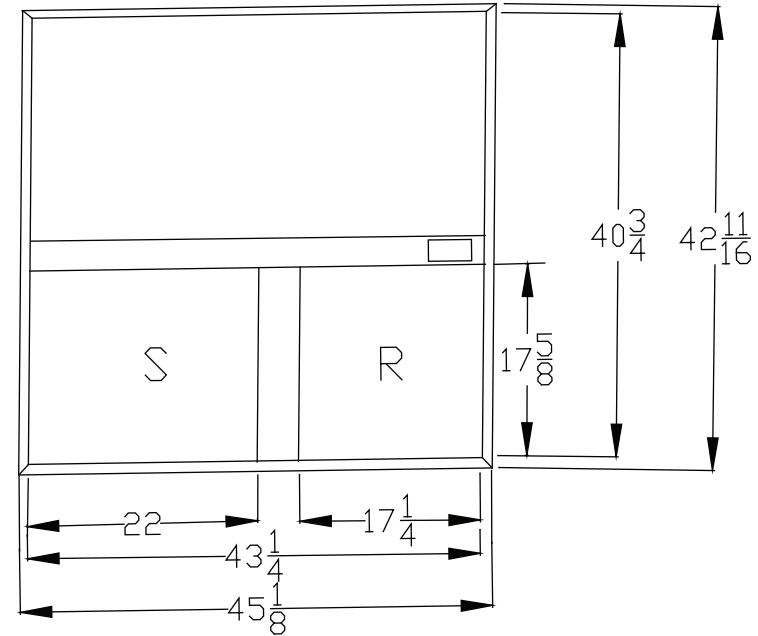
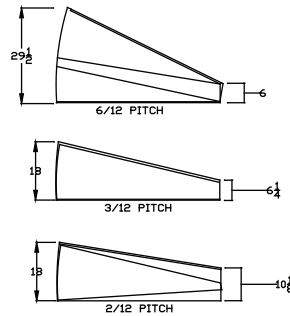
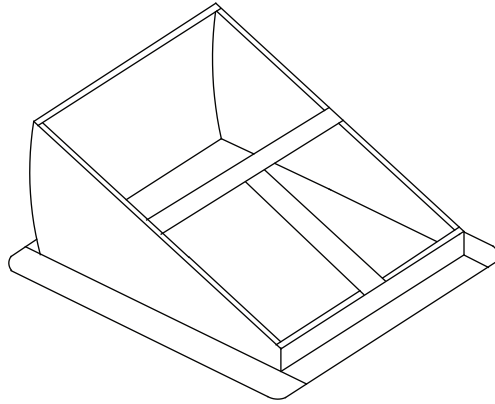


YORK AFFINITY SERIES



- Fully assembled for fast installation
- Adjustable from a 2/12 up to a 6/12 pitch
- 18 Gauge prime galvanized steel
- 1" fiberglass insulation for sound attenuation
- Fully Welded
- Curb installer to seal all corners and joints of curb as necessary
- Supplied with gasket material

RECOMMENDED PLENUM SIZES

SUPPLY - ACPIFKEA36 GZ PLENUM-26 GAUGE-KD - 3/4" FLANGE

21 1/2" x 17" 36" HI-BARE

SUPPLY - ACPIFKEA36 IZ PLENUM-26 GAUGE-KD - 3/4" FLANGE

21 1/2" x 17" 36" HI-1" LNR

RETURN- ACPIEADY36 GZ PLENUM-26 GAUGE-KD - 3/4" FLANGE

17" x 16 3/4" 36" HI-BARE

RETURN - ACPIEADY36 IZ PLENUM-26 GAUGE-KD - 3/4" FLANGE

17" x 16 3/4" 36" HI-1" LNR



MODULAR METAL FABRICATORS, INC.

YORK AFFINITY SERIES GAS ELECTRIC / HEAT PUMP
ADJUSTABLE PITCH FROM 2/12 TO 6/12
DNZ/DNQ/DNX/DNY/BHX/BHO/BHZ MODELS

SIZE	FSCM NO.	PART NO.	REV
		SDYORKCRBM10	
SCALE		SHEET	